

A D V A N C E R[®] HYBRID

THE BEST
OF BOTH WORLDS

SINGLE-TEMPERATURE
HYBRID REFRIGERATION SOLUTIONS
FOR TRAILERS

Enjoy unmatched long-haul performance along with complete inner-city access

Traditionally, hybrid technology was used purely to enter city centers without emitting CO₂. Outside urban areas, drivers instantly switched back to diesel. Now, customers are looking for more sustainable fuel sources.

CNG, LNG, and biofuel are on the rise. Even the first 100% electric long-haul trucks are expected to hit the road soon.

Our sustainable and brand-new hybrid version of Advancer (available for the A-360, A-400, A-500 and A-500 Whisper Pro models) was built to perform – **even when powered by alternative fuel sources.**

Thanks to its increased range, our hybrid unit is optimized for long-haul deliveries – leading to drastically lower fuel consumption.

ADVANCER HYBRID:
THE RIGHT CHOICE,
FOR TODAY AND TOMORROW

Advancer's hybrid version gives you peace of mind when it comes to future-proofing your fleet. Thanks to its reinvented design, you're compliant with existing legislation regarding noise and emissions today – and in the future. And our dealers can retrofit our Advancer Hybrid to match your specific demands.



CONTENT

THE RIGHT CHOICE FOR TODAY AND TOMORROW Ensure that your fleet is ready for the future	P. 3
UNPRECEDENTED LONG-HAUL BENEFITS Lower fuel consumption, compatibility with alternative fuel sources, and better performance	P. 4
ADVANCER HYBRID. The best of both worlds	P. 6
YOUR ENTRY TICKET TO ANY CITY CENTER Compliant with all current – and future – inner-city legislation	P. 8
FRIGOBLOCK X THERMO KING'S HYBRID TECHNOLOGY An electric-diesel partnership that provides you the best of both worlds	P. 10
ADVANCER HYBRID. DISCOVER THE RANGE Find the unit that fits your needs	P. 10



SAVE
UP TO
5,000
LITERS OF FUEL
PER UNIT,
PER YEAR
WITHOUT LOSING
PERFORMANCE

KEEP YOUR UNIT IN
PRIME CONDITION
FOR LONGER

In hybrid mode, you'll lower your engine operating hours, resulting in:

- Less frequent maintenance
- Further costs savings
- Extended equipment life

Slash your fuel consumption and emission levels on long-haul deliveries

According to our calculations, you'll save up to 5,000 liters of fuel per unit, per year with Advancer Hybrid on long-haul deliveries (compared to diesel engines). Further, your sustainable impact will decrease as well – **with a reduction of 13,500 kg of CO₂.**

ALTERNATIVE POWER ENGINES WELCOME!

Did you know that the hybrid version of Advancer can perform with every possible alternative power source – making this unit futureproof for decades.

- LNG
- CNG
- Biofuel
- Electric trucks

ALWAYS ON THE RUN

As long as you keep driving, our electric motor will continue to generate power to keep your valuable produce in prime condition. And during deliveries, our diesel motor ensures that your goods stay fresh. This way, your freight is always kept in the best circumstances.

ADVANCER[®]
HYBRID

THE BEST OF
BOTH WORLDS



IN THE CITY

LONG HAUL

90%

EMISSIONS CUT
FOR FULL ACCESS
IN URBAN AREAS

SAVE UP TO

5,000

LITERS OF FUEL
PER UNIT,
PER YEAR ON
LONG-HAUL
DELIVERIES

100%

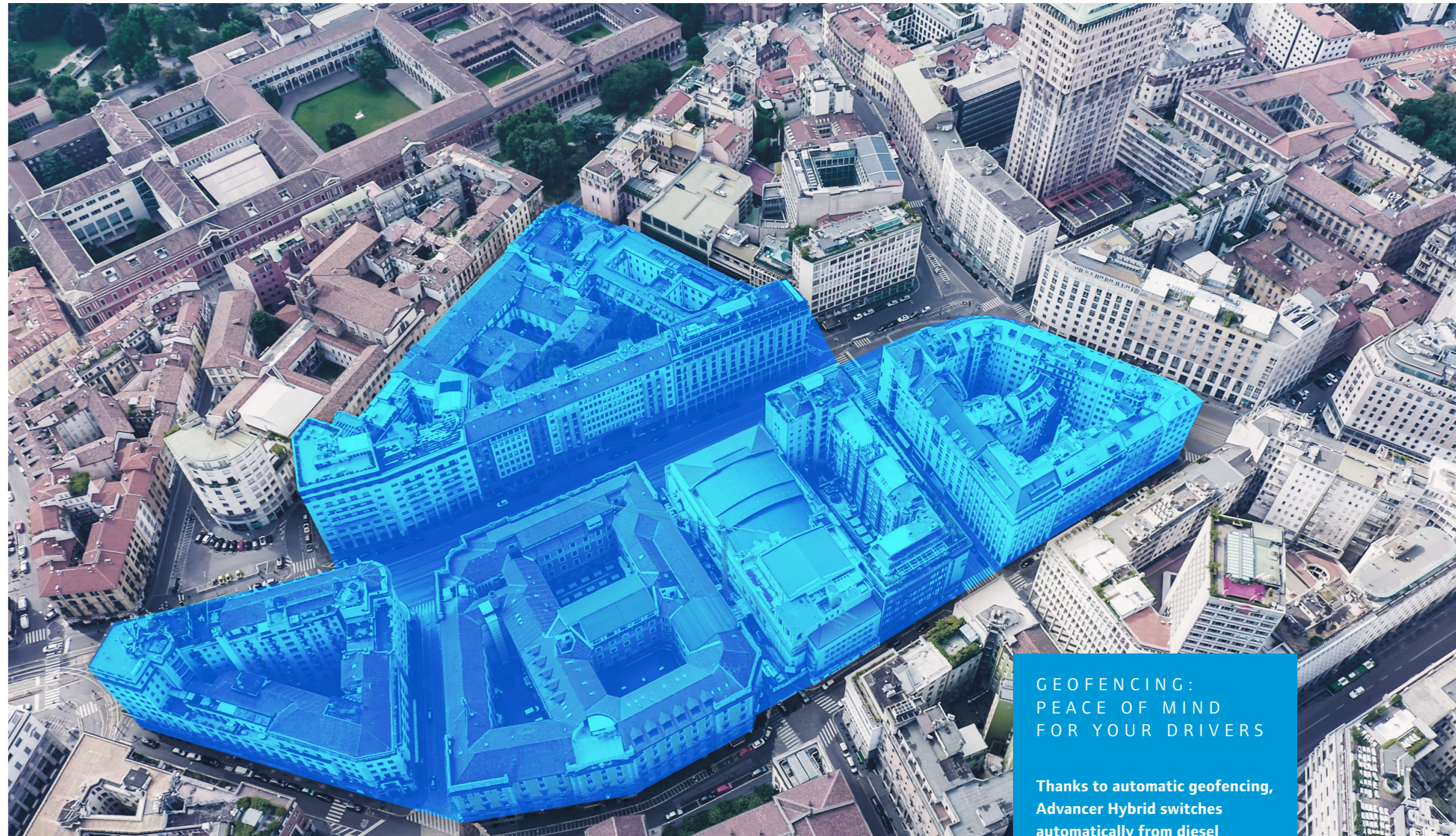
COMPATIBLE WITH
ALTERNATIVE
ENERGY SOURCES
(CNG, LNG, ELECTRIC, ...)

Your entry ticket to any city center

Municipalities all over the world are imposing access limitations on city centers in a valiant effort to improve air quality, reduce noise pollution, and increase overall living conditions, such as:

- Diesel bans
- Noise regulations (incl. PIEK)
- (Ultra) Low Emission Zones

With Advancer Hybrid, you can still deliver fresh foods and pharmaceuticals to your clients in the city – while simultaneously limiting your environmental impact on the long haul.



GEOFENCING:
PEACE OF MIND
FOR YOUR DRIVERS

Thanks to automatic geofencing, Advancer Hybrid switches automatically from diesel to electric when it enters a restricted area. As a result, your drivers won't have to intervene manually and keep their eyes on the road.

Thermo King x Frigoblock

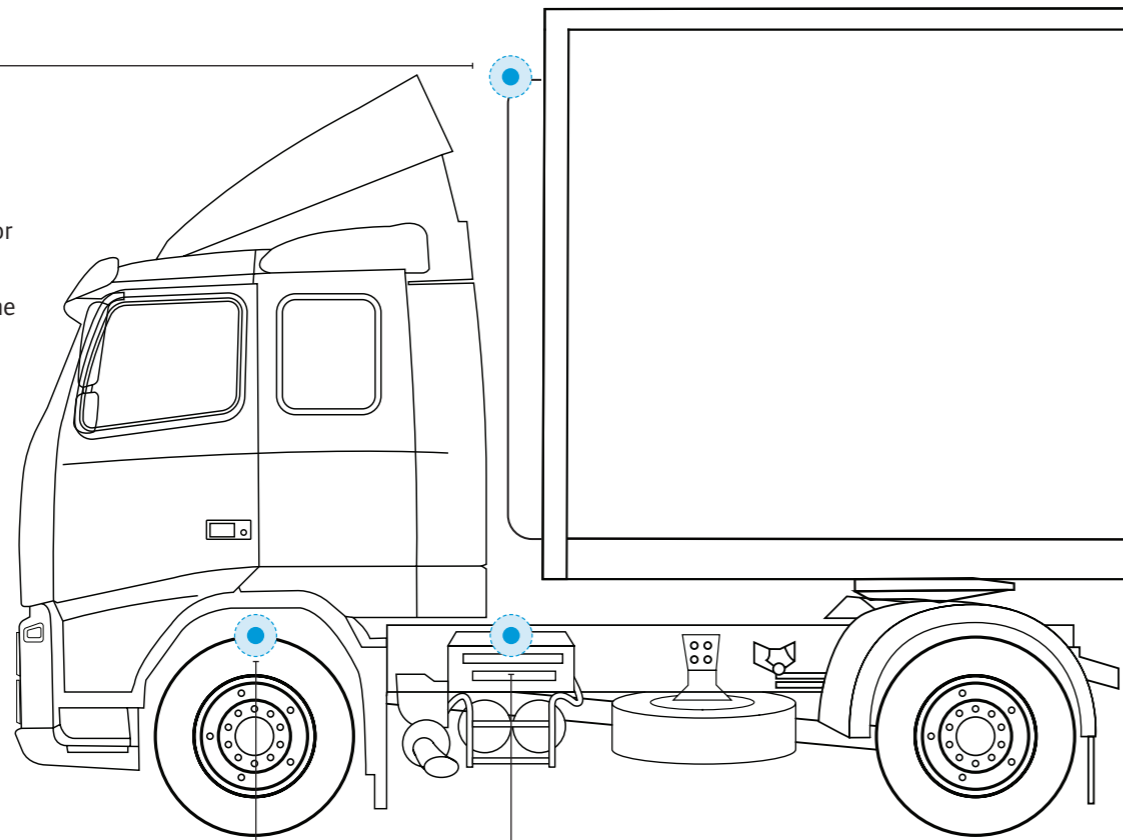
Combining proven technology

Hybrid technology in trailer refrigeration units is a rather new development. We achieved this feat by combining Thermo King's top-notch trailer refrigeration units and FRIGOBLOCK's electric ingenuity. Now, we provide you with an opportunity to enjoy the best of both worlds.

48V DC HYBRID ARCHITECTURE

handling both electrical and diesel motor

- Diesel drive remains available when the tractor engine is turned off
- Most fuel-efficient engine on the market today
- Fully variable airflow – independent from engine speed



FRIGOBLOCK ALTERNATOR

converting power from tractor engine into electricity

- Fuel-saving energy production by modern truck engines
- One alternator supplies the energy for a trailer unit
- Large speed range. No turning off in idle or at high speeds

FRIGOBLOCK INVERTER

transforming electricity from alternator to power Advancer Hybrid

- Constant voltage delivery to the unit – regardless of vehicle engine speed
- Guarantees rapid start-up of the unit with low mechanical stress
- Optimum load temperature control

Discover the full range

Our Advancer Hybrid comes in 4 different models – packed with all the radical innovation of our A-Series range:

- Engine-independent airflow
- The fastest pulldown on the market
- 20% more fuel-efficient (compared to its predecessor)



A360 HYBRID

ALL-ROUND REFRIGERATION EXCELLENCE

A **powerful engine**, engine-independent airflow and precise temperature control

A400 HYBRID

THE NEW STANDARD IN TRAILER REFRIGERATION

Comes with electronic engine speed control and with extra features to **boost fuel efficiency**

A500 HYBRID

WHEN YOUR CARGO DESERVES THE BEST OF THE BEST

Flagship model that offers the highest level of fuel efficiency, refrigeration capacity and temperature management

A500 WHISPER

THE SILENT ADDITION TO OUR ADVANCER RANGE

All the benefits of the A-500 packed into a **quiet unit** (certified compliance with noise regulation incl. PIEK)

ADVANCER[®] HYBRID

A FLEXIBLE ADDITION TO OUR ADVANCER RANGE

- **Your entry ticket to any city center – now and in the future**
Deliver within the inner city with ease
- **Slash your fuel-emissions**
On long-haul deliveries by 5,000 liters per unit, per year
- **Alternative power engines welcome!**
CNG, LNG, biofuels, electric trucks,
and any future technology
- **Geofencing: peace of mind for your drivers**
Automatically switch to the electric engine
when entering an urban area



HEAD OVER TO
TKADVANCER.COM
TO FIND OUT MORE



Thermo King – by Trane Technologies (NYSE: TT), a global climate innovator – is a worldwide leader in sustainable transport temperature control solutions. Thermo King has been providing transport temperature control solutions for a variety of applications, including trailers, truck bodies, buses, air, shipboard containers and railway cars since 1938.

For further information
europe.thermoking.com

Find your nearest dealer on
dealers.thermoking.com

TRANE
TECHNOLOGIES[®]