



Electronic Door Switch

Economy, security and noise reduction for delivery operations - at an attractive price

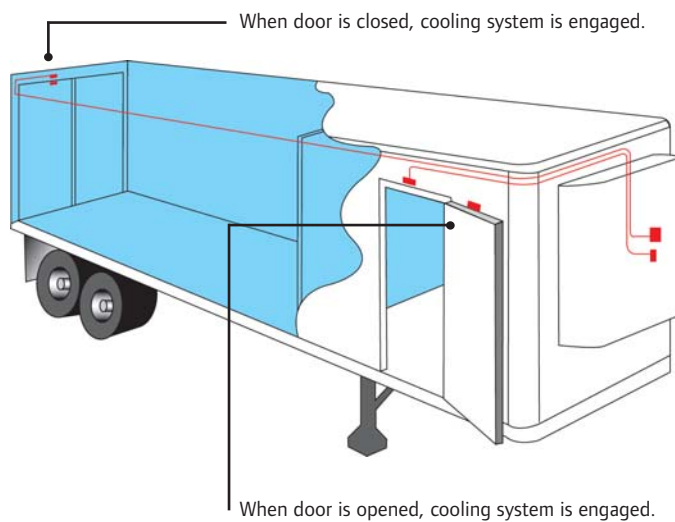


Low profile, durable switch.

Automatically turns off refrigeration unit when door is opened and restarts when door is closed.

- **Reduced run time:** less maintenance & lower fuel consumption
- **Less heat gain into the load at delivery:** improved temperature control
- **Greater security:** door opening events can be logged or trigger an alarm
- **Greater safety:** automatically turn interior trailer lights on and off as they are needed
- Zero refrigeration unit noise during delivery

Return Air Temperatures of a Two-Compartment, Multi-Temp. Trailer with and without Door Switches

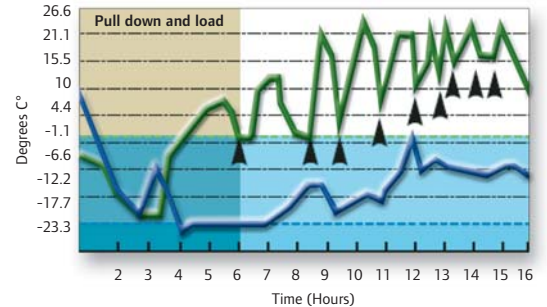


Can be retrofitted on all trailer and truck applications.

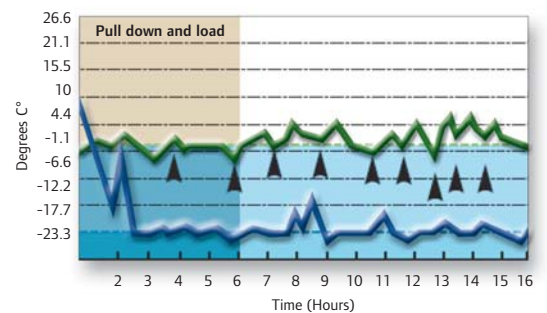
Part numbers:

- **400907: 2 Wire Switch** for units without Microprocessor.
- **400906: 3 Wire Switch** for units with Microprocessor.

Trailer Without Rear Door Switches



Trailer With Rear Door Switches



- Temperature, front compartment
- - - Set point, front compartment
- Temperature, rear compartment
- - - Set point, rear compartment
- ▲ Door openings



Providing equipment and services to manage controlled-temperature environments for food and other perishables, our Climate Control Technologies sector encompasses both transport and stationary refrigeration solutions. Our product brands include Thermo King®, a world leader in transport temperature control system and Hussmann®, a manufacturer of refrigeration and food merchandising equipment.

www.thermoking.com www.hussmann.com www.ingersollrand.com

Thermo King Corporation NCI Building - 4th Floor, Culliganlaan 1B, 1831 Diegem, Belgium.